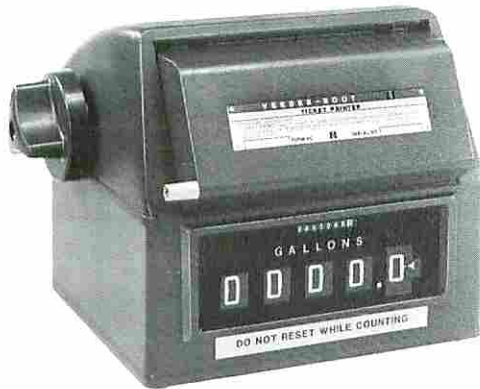




# VEEDER-ROOT

# PETROLEUM PRODUCTS

## 7890 METER REGISTER AND PRINTER



LEFT HAND  
RESET



RIGHT HAND  
RESET

### FUEL DELIVERIES AND FLUID FLOW TRANSACTIONS... CLEARLY DISPLAYED, ACCURATELY RECORDED

- New crisp, high visibility digital display for optimum readability in all ambient lighting.
- Permanent sales data — recorded on tamperproof tickets (left or right hand), carbon packs.
- Knob (left or right hand) resets both printer and register.
- Latest technology, modern materials give maximum dependability at speeds of 250 rpm of right wheel.
- Built-in precision totalizer accumulates up to 99,999,999 gallons.

### DESCRIPTION

Meter Register and Meter Register Printer combine to produce clean, detailed printed records of high-speed fluid deliveries and transactions. Ideal for increased efficiency in all kinds of liquid inventory monitoring and control situations.

The printer accepts standard 4-7/8" by 7-3/4" carbon packs and receipt tickets. Ticket is tamperproof — staked inside the printer until all data has been completely printed.

Two models are available: Accumulative and Zero Start. The Accumulative Printer, before delivery, prints the total remaining from the previous delivery. After delivery, the total accumulated at that point is printed. The amount just delivered is found by subtracting the previous total from the accumulated total. Zero start models first print zeros. The total printed after delivery is the actual amount of the transaction. No arithmetic is needed.

Finished in corrosion resistant epoxy for long life, the sturdy die-cast housing comes with magnetic self-closing cover for all-weather protection of the ticket. Positive impact printing offers clean, sharp originals and completely legible carbons.

### APPLICATIONS

The Series 7890 Meter Register and Printer combination provides inventory control records, bills of lading, receipts or invoices, accounting records, and data processing information in a wide variety of industries. In the petroleum refining and distribution field, it is used from the well to pipelines and storage centers, then to gasoline and fuel oil

delivery trucks. In the chemical processing field, it can be used not only for inventory and shipping, but for chemical batch recording as well.

### SPECIFICATIONS

Specifications listed are standard unless otherwise noted. Optional features are available at additional cost.

**Speed:** 250 rpm.

**Drive Torque:** During counting, average running torque at room temperature with a 1:1 ratio gear plate is 7 oz-in. (4.9 N·cm). During display wheel transfer from all 9's to all 0's, the torque may reach 16 oz-in. (11.3 N·cm).

**Operating Temperature Range:** -40° to +71°C (-40° to +160° F).

#### Number of Figures:

- Meter Register: 5
- Meter Register Totalizer: 8
- Meter Register Printer: Zero Start: 6
- Meter Register Printer (Accumulative): 7

#### Size of Figures:

- Meter Register: 0.750" high × 0.400" wide (19.05 × 10.16 mm).
- Meter Register Totalizer: 0.125" high × 0.078" wide (3.175 × 1.98 mm).
- Meter Register Printer: Zero Start: 0.156" high × 0.085" wide (3.96 × 2.16 mm).

**Color of Figures:** White on black, except right hand totalizer wheel which is black on white when recording tenths of units, and white on black when recording whole units.

**Style of Figures:** Veeder-Root/Cornell for optimum readability.

**Character Configuration:** 0 to 9. Optional character available on special order.

**Reset:** Single reset knob on printer for one-handed operation, left or right hand.

**Mounting:** Eight 1/4-28 tapped holes with steel inserts on a 6-5/8" (168.28 mm) diameter. Special adaptors are available for nearly all meters.

**Construction:** Cover: cast aluminum. Case and sub-frame: cast Zamak. Wheels, pinions, and clutch: acetal resin.

**Gearing:** 0.1:1 is standard. 0.1:1 through 42:1 are available.

**Lubrication:** Periodic.

### OPTIONS

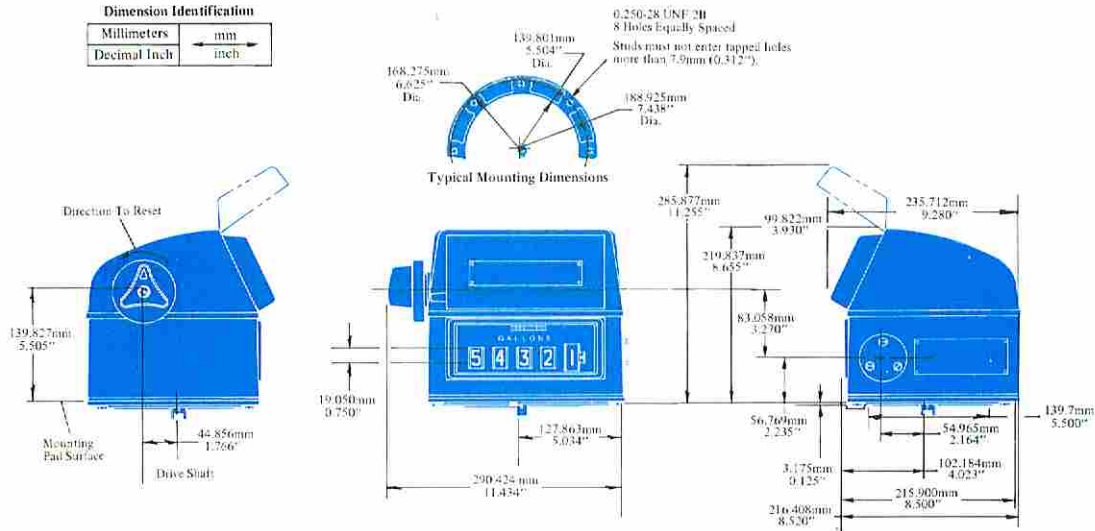
1. Nonreset Pulser.
2. Printer Tray Sensing Switch.

**Accu-Flow**  
Meter Service Ltd.

## LEFT HAND RESET MODELS

Register and Zero Start Printer: Tenths of Gallons	Form Number 789020-001	Register and Accumulative Printer: Tenths of Units (Specify Crystal)	Form Number 789021-701
Register and Accumulative Printer: Whole Units (Specify Crystal)	789021-700	Register and Zero Start Printer: Direct Reading (Face Up) Tenths of Units (Specify Crystal)	789022-701

## DIMENSIONS FOR LEFT HAND RESET



## RIGHT HAND RESET MODELS

Register and Zero Start Printer: Gallons	Form Number 789000-001	Register and Zero Start Printer: Direct Reading (Face Up) Gallons	Form Number 789002-001
Register and Accumulative Printer: Gallons	789001-001	Register and Zero Start Printer: Direct Reading (Face Up) Tenths of Gallons	789002-002
Register and Zero Start Printer: Tenths of Gallons	789000-002		
Register and Accumulative Printer: Tenths of Gallons	789001-002		

## DIMENSIONS FOR RIGHT HAND RESET

